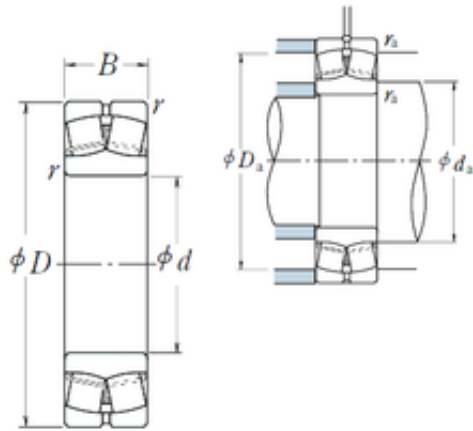




Double BALL BEARINGS CO, LTD



85 mm x 180 mm x 41 mm NSK 21317EAE4 spherical roller bearings

Bearing No. 21317EAE4

21317EAE4 Bearing 2D drawings and 3D CAD models

Size	85x180x41 mm
Bore Diameter	85 mm
Outer Diameter	180 mm
Width	41 mm
d	85 mm
D	180 mm
B	41 mm
C	41 mm
r min.	3 mm
da min.	99 mm
da max	108 mm
Da min	142 mm
Da max.	166 mm
ra max.	2,5 mm
Weight	5,2 Kg
Basic dynamic load rating (C)	289 kN
Basic static load rating (C0)	395 kN
(Grease) Lubrication Speed	2800 r/min
(Oil) Lubrication Speed	3600 r/min
Calculation factor (e)	0,24
Calculation factor (Y0)	2,8
Calculation factor (Y2)	4,3
Category	Spherical Roller Bearings
Inventory	0.0
Manufacturer Name	NSK



Double BALL BEARINGS CO, LTD

Minimum Buy Quantity	N/A
Weight / Kilogram	5.4
EAN	0029176410918
Product Group	B04311
Internal Clearance	C0-Medium
Mounting Method	Shaft Mount
Rolling Element	Spherical Roller Bearing
Bore Profile	Straight
Cage Material	Steel
Enclosure	Open
Number of Rows of Rollers	Double Row
Relubricatable	Yes
Withdrawal Sleeve	Not Applicable
Inch - Metric	Metric
Long Description	85MM Straight Bore; 180MM Outside Diameter; 41MM Width; C0-Medium Clearance; Shaft Mount; Double Row of Spherical Roller Bearings; Steel Cage Material; Open Enclosure; Relubricatable
Category	Spherical Roller Bearing
UNSPSC	31171510
Harmonized Tariff Code	84823080
Noun	Bearing
Keyword String	Spherical
Manufacturer URL	http://www.nskamericas.com
Manufacturer Item Number	21317EAE4
Weight / LBS	5.34
Bore	3.346 Inch 85 Millimeter
Adapter Part Number	Not Applicable Inch Not Applicable Millimeter
Outside Diameter	7.087 Inch 180 Millimeter



Double BALL BEARINGS CO, LTD

Width	1.614 Inch 41 Millimeter
bore diameter:	85 mm
maximum rpm:	4000 RPM
outside diameter:	180 mm
operating temperature range:	Maximum of +200 ° C
overall width:	41 mm
cage material:	Steel
bore type:	Straight
bearing material:	Steel
outer ring type:	Not Split
cage type:	Roller Guided
internal clearance:	C0
precision rating:	RBEC 1 (ISO Class Normal)
closure type:	Open
finish/coating:	Uncoated
lubrication hole type:	Lubrication Groove & Hole
outer ring width:	41 mm
dynamic load capacity:	360000 N
fillet radius:	3 mm
static load capacity:	395000 N
series:	213
Y3	2.9
hidYobi	21317EAE4
LangID	1
Y1	2.9
D_	180
Y2	4.3
Macha rpm	5000
B_	41
da min	99
hidTable	ecat_NSSPHR



Double BALL BEARINGS CO, LTD

Oil rpm	4000
Y0	2.8
mass	5.2
GRS rpm	3000
ra	2.5
TSR rpm	3800
C0	395
DE_	145.223
X0	1
Prod_Type3	SRB_CTB_CB
X1	1
X2	0.67
SIR	15.9
e	0.24
DA_	17.83
bomp	21317EAE4
Z_	20
ALP2	55
ALP1	8
ALP3	0
D_a max	166
D_a min	142
yobi	21317EAE4
HPS	HPS
ALPHA_	0.156
SDM_	127.609
r	3
KBRG	2328
SBRG	3
DI_	109.994