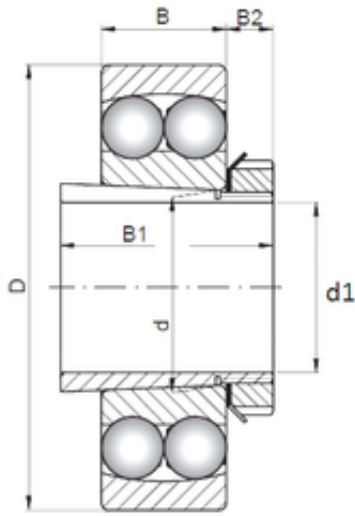




## Double BALL BEARINGS CO, LTD



85 mm x 180 mm x 41 mm Loyal 1317K+H317  
self aligning ball bearings

Bearing No. 1317K+H317

Size	85x180x41 mm
Bore Diameter	85 mm
Outer Diameter	180 mm
Width	41 mm
d	85 mm
d1	75 mm
D	180 mm
B	41 mm
C	41 mm
B1	63 mm
B2	18 mm
Weight	5 Kg
Basic dynamic load rating (C)	97,5 kN
Basic static load rating (C0)	38 kN
(Grease) Lubrication Speed	3400 r/min

1317K+H317 Bearing 2D drawings and 3D CAD models