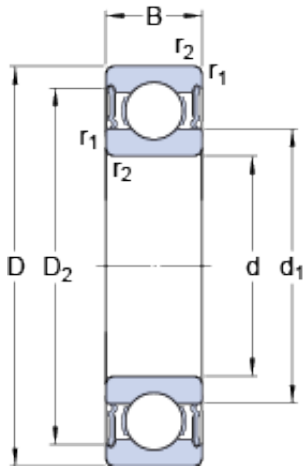




Double BALL BEARINGS CO, LTD



45 mm x 75 mm x 16 mm SKF 63009-2RS1 deep groove ball bearings

Bearing No. 63009-2RS1

63009-2RS1 Bearing 2D drawings and 3D CAD models

Size	75x45x16 mm
Bore Diameter	75 mm
Outer Diameter	45 mm
Width	16 mm
d	45 mm
D	75 mm
B	16 mm
d ₁	54.75 mm
D ₂	67.8 mm
r _{1,2} - min.	1 mm
d _a - min.	50.8 mm
d _a - max.	54.7 mm
D _a - max.	69.2 mm
r _a - max.	1 mm
Basic dynamic load rating - C	20.8 kN
Basic static load rating - C ₀	14.6 kN
Fatigue load limit - P _u	0.64 kN
Limiting speed	5600 r/min
Calculation factor - k _r	0.025
Calculation factor - f ₀	14.9
Category	Single Row Ball Bearings
Inventory	0.0
Manufacturer Name	SKF
Minimum Buy Quantity	N/A



Double BALL BEARINGS CO, LTD

Weight / Kilogram	0.368
EAN	7316577080752
Product Group	B00308
Enclosure	2 Seals
Precision Class	ABEC 1 ISO P0
Maximum Capacity / Filling Slot	No
Rolling Element	Ball Bearing
Snap Ring	No
Internal Special Features	No
Cage Material	Steel
Enclosure Type	Contact Seal
Internal Clearance	C0-Medium
Inch - Metric	Metric
Long Description	45MM Bore; 75MM Outside Diameter; 23MM Outer Race Diameter; 2 Seals; Ball Bearing; ABEC 1 ISO P0; No Filling Slot; No Snap Ring; No Internal Special Features
Other Features	Cartridge Bearing
Category	Single Row Ball Bearing
UNSPSC	31171504
Harmonized Tariff Code	8482.10.50.68
Noun	Bearing
Keyword String	Ball
Manufacturer URL	http://www.skf.com
Manufacturer Item Number	63009-2RS1
Weight / LBS	0.81
Outer Race Width	0.906 Inch 23 Millimeter
Outside Diameter	2.953 Inch 75 Millimeter
Bore	1.772 Inch 45 Millimeter
bore diameter:	45 mm



Double BALL BEARINGS CO, LTD

static load capacity:	14.6 kN
outside diameter:	75 mm
precision rating:	ABEC 3 (ISO Class 6)
overall width:	23 mm
finish/coating:	Uncoated
bore type:	Round
cage material:	Steel
closure type:	Double Sealed
outer ring width:	23 mm
row type & fill slot:	Single Row Non-Fill Slot
fillet radius:	1 mm
internal clearance:	C0
maximum rpm:	5600 RPM
operating temperature range:	-40 to +210 ° F
series:	63
dynamic load capacity:	20.8 kN
d_1	54.75 mm
D_2	67.8 mm
$r_{1,2}$ min.	1 mm
d_a min.	50.8 mm
d_a max.	54.7 mm
D_a max.	69.2 mm
r_a max.	1 mm
Basic dynamic load rating C	20.8 kN
Basic static load rating C_0	14.6 kN
Fatigue load limit P_u	0.64 kN
Calculation factor k_r	0.025
Calculation factor f_0	14.9
Mass bearing	0.35 kg