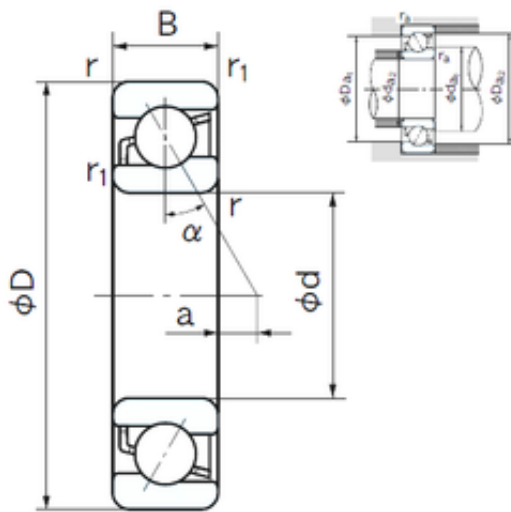




Double BALL BEARINGS CO, LTD



75 mm x 130 mm x 25 mm NACHI 7215B
angular contact ball bearings

Bearing No. 7215B

7215B Bearing 2D drawings and 3D CAD models

Size	75x130x25 mm
Bore Diameter	75 mm
Outer Diameter	130 mm
Width	25 mm
d	75 mm
D	130 mm
B	25 mm
C	25 mm
Angle (°)	40 °
a	30.6 mm
r min.	1.5 mm
r1 min.	1 mm
da min.	84 mm
Da max.	121 mm
ra max.	1.5 mm
Weight	1.23 Kg
Basic dynamic load rating (C)	74 kN
Basic static load rating (C0)	64 kN
(Grease) Lubrication Speed	4000 r/min
Category	Angular Contact Ball Bearings
Inventory	0.0
Manufacturer Name	NACHI
Minimum Buy Quantity	N/A
Weight / Kilogram	1.23



Double BALL BEARINGS CO, LTD

EAN	4991893844740
Product Group	B00308
Enclosure	Open
Flush Ground	No
Rolling Element	Ball Bearing
Number of Rows of Balls	Single Row
Precision Class	ABEC 1 ISO P0
Maximum Capacity / Filling Slot	No
Snap Ring	No
Cage Material	Steel
Contact Angle	40 Degree
Internal Clearance	C0-Medium
Number of Bearings	1 (Single)
Inch - Metric	Metric
Long Description	75MM Bore; 130MM Outside Diameter; 25MM Width; Open; No Flush Ground; Ball Bearing; Single Row of Balls; ABEC 1 ISO P0; No Filling Slot; No Snap Ring
Category	Angular Contact Ball Bearing
UNSPSC	31171531
Harmonized Tariff Code	8482.10.50.28
Noun	Bearing
Keyword String	Angular Contact
Manufacturer URL	http://www.nachi.com
Manufacturer Item Number	7215 B BNLS
Weight / LBS	2.71
Bore	2.953 Inch 75 Millimeter
Outside Diameter	5.118 Inch 130 Millimeter
Width	0.984 Inch 25 Millimeter
Configuration	Single Row



Double BALL BEARINGS CO, LTD

Bore Type	Cylindrical Bore
Bore Size	75 mm
Fillet Radius/Chamfer	1.5 mm
r1	1 mm
Dynamic Load Rating	74,000 N
Static Load Rating	64,000 N
Limiting Speed - Grease	4,000 rpm
Limiting Speed - Oil	5,300 rpm
da1 (min)	84 mm
da2 (min)	80 mm
Da1 (max)	121 mm
Da2 (max)	124.6 mm
ra (max)	1.5 mm
ra1 (max)	1 mm