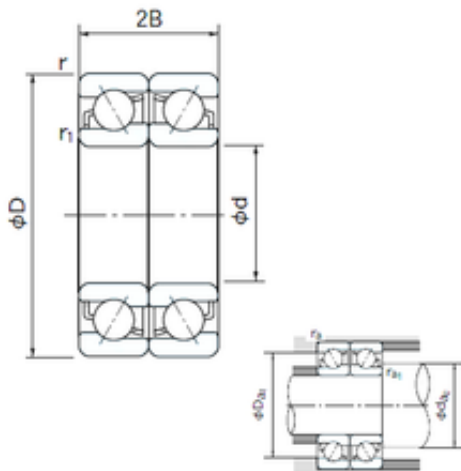




## Double BALL BEARINGS CO, LTD



75 mm x 130 mm x 25 mm NACHI 7215DF  
angular contact ball bearings

Bearing No. 7215DF

7215DF Bearing 2D drawings and 3D CAD models

Size	75x130x25 mm
Bore Diameter	75 mm
Outer Diameter	130 mm
Width	25 mm
d	75 mm
D	130 mm
B	25 mm
C	25 mm
Angle ( ° )	30 °
a	17.1 mm
r min.	1.5 mm
r1 min.	1 mm
2B	50 mm
da min.	80 mm
Da max.	124.6 mm
ra max.	1 mm
Weight	1.23 Kg
Basic dynamic load rating (C)	129 kN
Basic static load rating (C0)	137 kN
(Grease) Lubrication Speed	3400 r/min
Bore Type	Cylindrical Bore
Enclosure	Open
Configuration	Duplex
Bore Size	75 mm
Outside Diameter	130 mm



## Double BALL BEARINGS CO, LTD

Width	25 mm
Fillet Radius/Chamfer	1.5 mm
r1	1 mm
Dynamic Load Rating	129,000 N
Static Load Rating	137,000 N
Limiting Speed - Grease	3,400 rpm
Limiting Speed - Oil	4,700 rpm
da1 (min)	84 mm
da2 (min)	80 mm
Da1 (max)	121 mm
Da2 (max)	124.6 mm
ra (max)	1.5 mm
ra1 (max)	1 mm