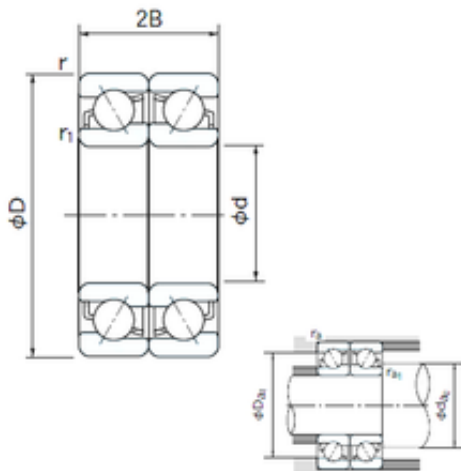




Double BALL BEARINGS CO, LTD



75 mm x 130 mm x 25 mm NACHI 7215BDF
angular contact ball bearings

Bearing No. 7215BDF

7215BDF Bearing 2D drawings and 3D CAD models

Size	75x130x25 mm
Bore Diameter	75 mm
Outer Diameter	130 mm
Width	25 mm
d	75 mm
D	130 mm
B	25 mm
C	25 mm
Angle (°)	40 °
a	30.6 mm
r min.	1.5 mm
r1 min.	1 mm
2B	50 mm
da min.	80 mm
Da max.	124.6 mm
ra max.	1 mm
Weight	1.23 Kg
Basic dynamic load rating (C)	120 kN
Basic static load rating (C0)	128 kN
(Grease) Lubrication Speed	3200 r/min
Bore Type	Cylindrical Bore
Enclosure	Open
Configuration	Duplex
Bore Size	75 mm
Outside Diameter	130 mm



Double BALL BEARINGS CO, LTD

Width	25 mm
Fillet Radius/Chamfer	1.5 mm
r1	1 mm
Dynamic Load Rating	120,000 N
Static Load Rating	128,000 N
Limiting Speed - Grease	3,200 rpm
Limiting Speed - Oil	4,300 rpm
da1 (min)	84 mm
da2 (min)	80 mm
Da1 (max)	121 mm
Da2 (max)	124.6 mm
ra (max)	1.5 mm
ra1 (max)	1 mm