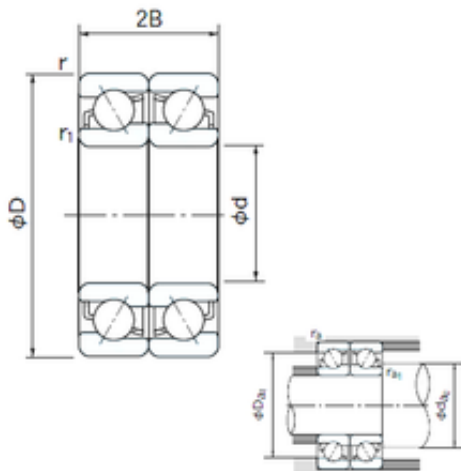




## Double BALL BEARINGS CO, LTD



40 mm x 80 mm x 18 mm NACHI 7208BDF  
angular contact ball bearings

Bearing No. 7208BDF

7208BDF Bearing 2D drawings and 3D CAD models

Size	40x80x18 mm
Bore Diameter	40 mm
Outer Diameter	80 mm
Width	18 mm
d	40 mm
D	80 mm
B	18 mm
C	18 mm
Angle ( ° )	40 °
a	16.2 mm
r min.	1.1 mm
r1 min.	0.6 mm
2B	36 mm
da min.	45 mm
Da max.	75 mm
ra max.	0.6 mm
Weight	0.380 Kg
Basic dynamic load rating (C)	54 kN
Basic static load rating (C0)	47,5 kN
(Grease) Lubrication Speed	5300 r/min
Bore Type	Cylindrical Bore
Enclosure	Open
Configuration	Duplex
Bore Size	40 mm
Outside Diameter	80 mm



## Double BALL BEARINGS CO, LTD

Width	18 mm
Fillet Radius/Chamfer	1.1 mm
r1	0.6 mm
Dynamic Load Rating	54,000 N
Static Load Rating	47,500 N
Limiting Speed - Grease	5,300 rpm
Limiting Speed - Oil	7,200 rpm
da1 (min)	47 mm
da2 (min)	45 mm
Da1 (max)	73 mm
Da2 (max)	75 mm
ra (max)	1 mm
ra1 (max)	0.6 mm