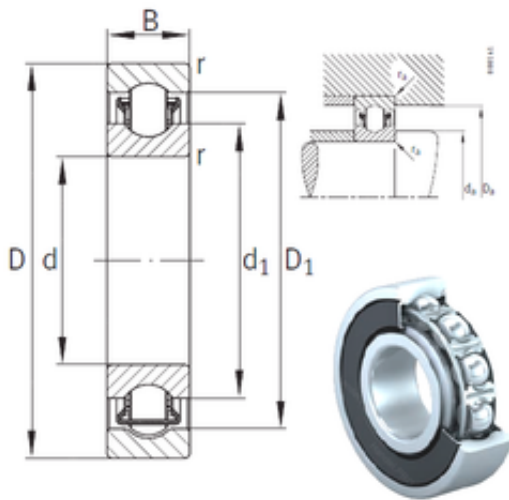




Double BALL BEARINGS CO, LTD



40 mm x 80 mm x 18 mm INA BXRE208-2RSR
needle roller bearings

Bearing No. BXRE208-2RSR

BXRE208-2RSR Bearing 2D drawings and 3D CAD models

Size	40x80x18 mm
Bore Diameter	40 mm
Outer Diameter	80 mm
Width	18 mm
d	40 mm
D	80 mm
B	18 mm
C	18 mm
d1	54 mm
r min.	1,1 mm
D1	67,8 mm
da min.	47 mm
Da max.	73 mm
ra max.	1 mm
Weight	0,397 Kg
Basic dynamic load rating (C)	44 kN
Basic static load rating (C0)	33 kN
Fatigue load limit (Pu)	1 670