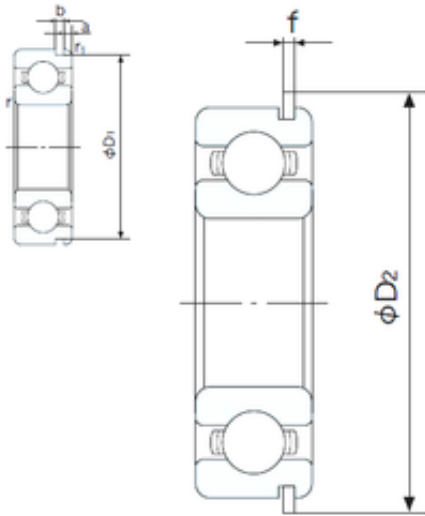




Double BALL BEARINGS CO, LTD



40 mm x 80 mm x 18 mm NACHI 6208NR
deep groove ball bearings

Bearing No. 6208NR

6208NR Bearing 2D drawings and 3D CAD models

Size	40x80x18 mm
Bore Diameter	40 mm
Outer Diameter	80 mm
Width	18 mm
d	40 mm
D	80 mm
B	18 mm
C	18 mm
a	3.28 mm
b	1.9 mm
f	1.7 mm
r min.	1.1 mm
r1 min.	0.5 mm
D1	76.81 mm
D2	86.6 mm
Weight	0.366 Kg
Basic dynamic load rating (C)	29,1 kN
Basic static load rating (C0)	17,9 kN
(Grease) Lubrication Speed	8200 r/min
Category	Ball Bearings
Inventory	24.0
Manufacturer Name	NACHI
Minimum Buy Quantity	N/A
UNSPSC	31171504
Weight / Kilogram	0.368



Double BALL BEARINGS CO, LTD

EAN	4991893716986
Product Group	B00308
Bore Type	Cylindrical Bore
Configuration	Single Row
Enclosure	Snap Ring Groove with Snap Ring
Bore Size	40 mm
Outside Diameter	80 mm
Width	18 mm
Fillet Radius/Chamfer	1.1 mm
r1	0.5 mm
Snap Ring Width	1.7 mm
Snap Ring Outside Diameter	86.6 mm
D1 (max)	76.8 mm
a (max)	3.3 mm
b (min)	1.9 mm
Dynamic Load Rating	29,100 N
Static Load Rating	17,900 N
Limiting Speed - Grease	8,700 rpm
Limiting Speed - Oil	10,000 rpm
Factor fo	14.0
Radial Clearance	0.006 to 0.020 mm
da (min)	47 mm
Da (max)	73 mm
Dx (min)	88 mm
ra (max)	1 mm
Cy (max)	4.6 mm