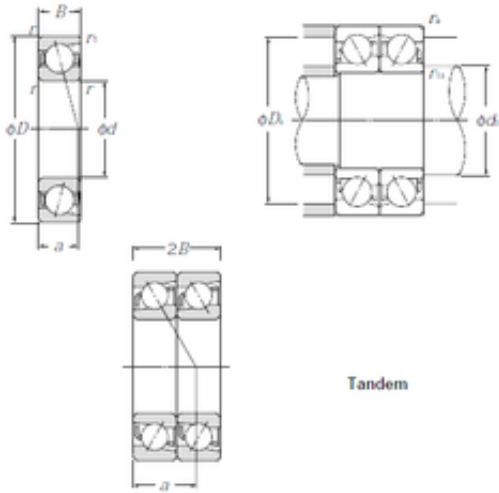




Double BALL BEARINGS CO, LTD

35 mm x 72 mm x 17 mm NTN 7207DT angular contact ball bearings

Bearing No. 7207DT



7207DT Bearing 2D drawings and 3D CAD models

Size	35x72x17 mm
Bore Diameter	35 mm
Outer Diameter	72 mm
Width	17 mm
d	35 mm
D	72 mm
B	17 mm
ra1 max.	0,6 mm
Angle (°)	25 °
a	24 mm
r min.	1,1 mm
r1 min.	0,6 mm
2B	34 mm
da min.	42 mm
Da max.	65 mm
db min	39,5 mm
ra max.	1 mm
Db max	67,5 mm
Weight	0,562 Kg
Basic dynamic load rating (C)	48,5 kN
Basic static load rating (C0)	40 kN
(Grease) Lubrication Speed	8 600 r/min