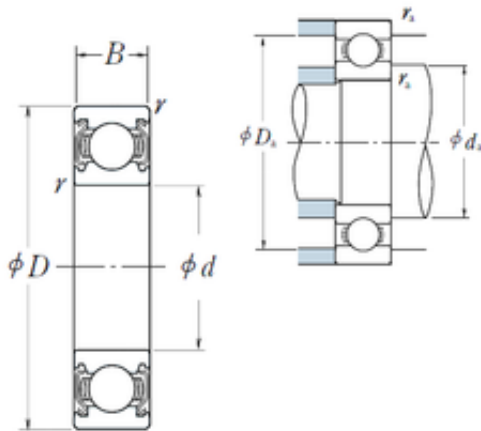




## Double BALL BEARINGS CO, LTD



35 mm x 47 mm x 7 mm NSK 6807ZZ deep groove ball bearings

Bearing No. 6807ZZ

6807ZZ Bearing 2D drawings and 3D CAD models

Size	35x47x7 mm
Bore Diameter	35 mm
Outer Diameter	47 mm
Width	7 mm
d	35 mm
D	47 mm
B	7 mm
C	7 mm
r min.	0,3 mm
da min.	37 mm
da max	37 mm
Da max.	45 mm
ra max.	0,3 mm
Weight	0,027 Kg
Basic dynamic load rating (C)	4,9 kN
Basic static load rating (C0)	4,1 kN
(Grease) Lubrication Speed	14 000 r/min
Category	Single Row Ball Bearings
Inventory	0.0
Manufacturer Name	NSK
Minimum Buy Quantity	N/A
Weight / Kilogram	0.032
EAN	0029176521935
Product Group	B00308
Enclosure	2 Metal Shields



## Double BALL BEARINGS CO, LTD

Precision Class	ABEC 1   ISO P0
Maximum Capacity / Filling Slot	No
Rolling Element	Ball Bearing
Snap Ring	No
Internal Special Features	No
Cage Material	Steel
Internal Clearance	C0-Medium
Inch - Metric	Metric
Long Description	35MM Bore; 47MM Outside Diameter; 7MM Outer Race Diameter; 2 Metal Shields; Ball Bearing; ABEC 1   ISO P0; No Filling Slot; No Snap Ring; No Internal Special Features
Category	Single Row Ball Bearing
UNSPSC	31171504
Harmonized Tariff Code	8482.10.50.68
Noun	Bearing
Keyword String	Ball
Manufacturer URL	<a href="http://www.nskamericas.com">http://www.nskamericas.com</a>
Weight / LBS	1.378
Outer Race Width	0.276 Inch   7 Millimeter
Outside Diameter	1.85 Inch   47 Millimeter
Bore	1.378 Inch   35 Millimeter
SRI	1.81
hidYobi	6807ZZ
LangID	1
D_	47
SREX	0.015
B_	7
da min	37
hidTable	ecat_NSRDGB



## Double BALL BEARINGS CO, LTD

SRE	1.81
mass	0.027
GRS rpm	14000
ra	0.3
SRIX	0.015
D_a	45
SRIN	-0.015
C0	4.1
fo	16.7
SREN	-0.015
DE_	44.1
Prod_Type3	DGBB_SR_ZZ
DA_	3.5
bomp	0
Z_	20
yobi	6807ZZ
C_conv	4900
ALPHA_	0
SDM_	40.6
r	0.3
KBRG	6141
SBRG	18
DI_	37.1