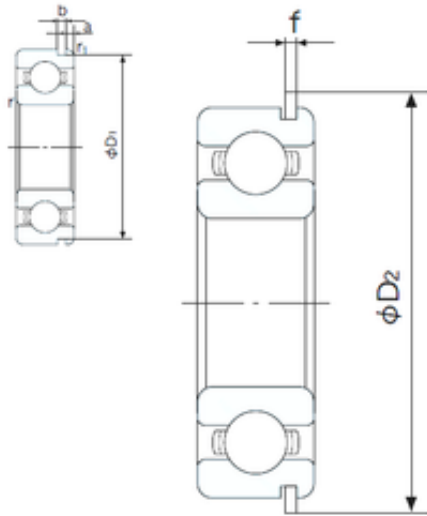




Double BALL BEARINGS CO, LTD



35 mm x 47 mm x 7 mm NACHI 6807NR deep groove ball bearings

Bearing No. 6807NR

6807NR Bearing 2D drawings and 3D CAD models

Size	35x47x7 mm
Bore Diameter	35 mm
Outer Diameter	47 mm
Width	7 mm
d	35 mm
D	47 mm
B	7 mm
C	7 mm
a	1.3 mm
b	0.95 mm
f	0.85 mm
r min.	0.3 mm
r1 min.	0.3 mm
D1	45.7 mm
D2	49.8 mm
Weight	0.030 Kg
Basic dynamic load rating (C)	4,75 kN
Basic static load rating (C0)	3,8 kN
(Grease) Lubrication Speed	13000 r/min
Bore Type	Cylindrical Bore
Configuration	Single Row
Enclosure	Snap Ring Groove with Snap Ring
Bore Size	35 mm
Outside Diameter	47 mm



Double BALL BEARINGS CO, LTD

Width	7 mm
Fillet Radius/Chamfer	0.3 mm
r1	0.3 mm
Snap Ring Width	0.9 mm
Snap Ring Outside Diameter	49.8 mm
D1 (max)	45.7 mm
a (max)	1.3 mm
b (min)	1 mm
Dynamic Load Rating	4,750 N
Static Load Rating	3,800 N
Limiting Speed - Grease	14,000 rpm
Limiting Speed - Oil	16,000 rpm
Factor fo	16.4
Radial Clearance	0.006 to 0.020 mm
da (min)	37 mm
Da (max)	45 mm
Dx (min)	50.5 mm
ra (max)	0.3 mm
Cy (max)	1.8 mm