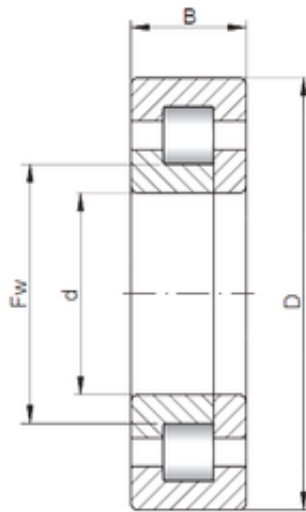




## Double BALL BEARINGS CO, LTD



30 mm x 90 mm x 23 mm ISO NUP406  
cylindrical roller bearings

Bearing No. NUP406

Size	30x90x23 mm
Bore Diameter	30 mm
Outer Diameter	90 mm
Width	23 mm
d	30 mm
D	90 mm
B	23 mm
C	23 mm

NUP406 Bearing 2D drawings and 3D CAD models