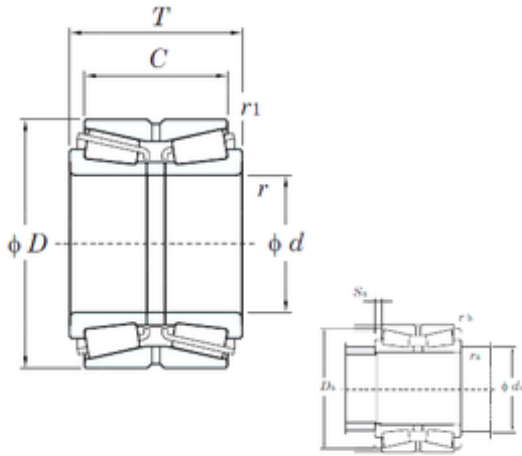




Double BALL BEARINGS CO, LTD

KOYO 46348A tapered roller bearings

Bearing No. 46348A



46348A Bearing 2D drawings and 3D CAD models

Size	240x400x160 mm
Bore Diameter	240 mm
Outer Diameter	400 mm
Width	160 mm
d	240 mm
D	400 mm
T	160 mm
C	128 mm
r min.	5 mm
r1 min.	1,5 mm
da min.	262 mm
Da min	373 mm
ra max.	4 mm
rb max.	1,5 mm
Weight	76,2 Kg
Basic dynamic load rating (C)	1540 kN
Basic static load rating (C0)	3060 kN
(Grease) Lubrication Speed	630 r/min
(Oil) Lubrication Speed	850 r/min
Calculation factor (e)	0,35
Calculation factor (Y0)	1,91
Bearing No.	46348A
r(min)	5
r1(min)	1.5
Cr	1940
C0r	3060



Double BALL BEARINGS CO, LTD

Cu	162
Grease lub.	630
Oil lub.	850
da(min)	262
Da(min)	391.5
Sa(min)	16
ra(max)	4
rb(max)	1.5
e	0.35
Y2	1.95
Y3	2.90
Y0	1.91
(Refer.)Mass(kg)	76.2