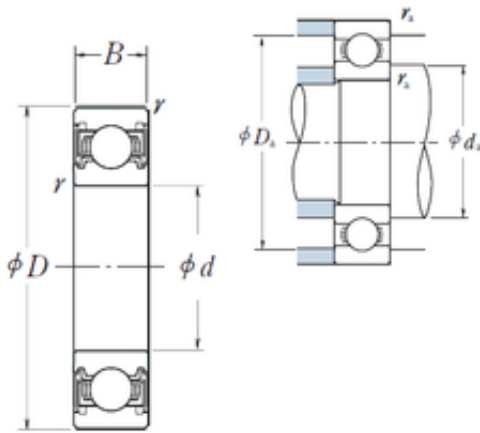




Double BALL BEARINGS CO, LTD



17 mm x 35 mm x 10 mm NSK 6003VV deep groove ball bearings

Bearing No. 6003VV

6003VV Bearing 2D drawings and 3D CAD models

Size	17x35x10 mm
Bore Diameter	17 mm
Outer Diameter	35 mm
Width	10 mm
d	17 mm
D	35 mm
B	10 mm
C	10 mm
r min.	0,3 mm
da min.	19 mm
da max	21,5 mm
Da max.	33 mm
ra max.	0,3 mm
Weight	0,041 Kg
Basic dynamic load rating (C)	6 kN
Basic static load rating (C0)	3,25 kN
(Grease) Lubrication Speed	22 000 r/min
Category	Single Row Ball Bearings
Inventory	0.0
Manufacturer Name	NSK
Minimum Buy Quantity	N/A
Weight / Kilogram	0.02
EAN	0029176019807
Product Group	B00308
Enclosure	2 Seals



Double BALL BEARINGS CO, LTD

Precision Class	ABEC 1 ISO P0
Maximum Capacity / Filling Slot	No
Rolling Element	Ball Bearing
Snap Ring	No
Internal Special Features	No
Cage Material	Steel
Enclosure Type	Non-Contact Seal
Internal Clearance	C0-Medium
Inch - Metric	Metric
Long Description	17MM Bore; 35MM Outside Diameter; 10MM Outer Race Diameter; 2 Seals; Ball Bearing; ABEC 1 ISO P0; No Filling Slot; No Snap Ring; No Internal Special Features
Category	Single Row Ball Bearing
UNSPSC	31171504
Harmonized Tariff Code	8482.10.50.68
Noun	Bearing
Keyword String	Ball
Manufacturer URL	http://www.nskamericas.com
Manufacturer Item Number	6003VV
Weight / LBS	0.039
Outside Diameter	1.378 Inch 35 Millimeter
Outer Race Width	0.394 Inch 10 Millimeter
Bore	0.669 Inch 17 Millimeter
bore diameter:	17 mm
dynamic load capacity:	1350 lbs
outside diameter:	35 mm
static load capacity:	730 lbs
overall width:	10 mm
bearing material:	Steel



Double BALL BEARINGS CO, LTD

bore type:	Round
maximum rpm (grease):	24000 rpm
closure type:	Two Non-Contact Seals
maximum rpm (oil):	28000 rpm
row type & fill slot:	Single Row Non-Fill Slot
manufacturer catalog:	Click here
snap ring included:	Without Snap Ring
manufacturer upc number:	029176019807
internal clearance:	C0
SRI	2.46
hidYobi	6003VV
LangID	1
D_	35
SREX	0.03
B_	10
da min	19
hidTable	ecat_NS RDGB
SRE	2.52
mass	0.041
GRS rpm	22000
ra	0.3
SRIX	0.015
D_a	33
SRIN	-0.015
C0	3.25
fo	14.4
SREN	0
DE_	30.762
Prod_Type3	DGBB_SR_VV
DA_	4.762
bomp	0
Z_	10



Double BALL BEARINGS CO, LTD

yobi	6003VV
C_conv	6000
ALPHA_	0
SDM_	26
r	0.3
KBRG	6151
SBRG	10
DI_	21.238