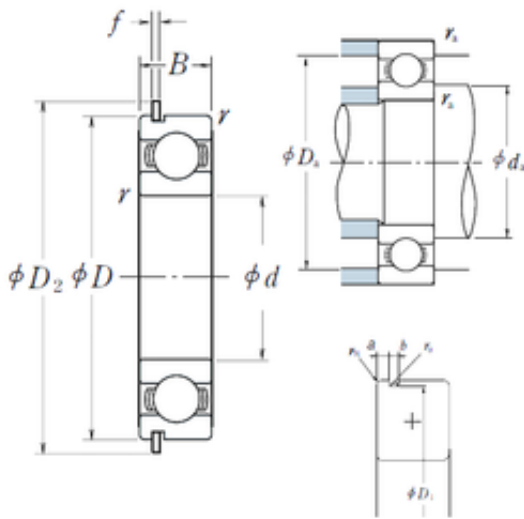




## Double BALL BEARINGS CO, LTD

17 mm x 35 mm x 10 mm NSK 6003NR deep groove ball bearings

Bearing No. 6003NR



6003NR Bearing 2D drawings and 3D CAD models

Size	17x35x10 mm
Bore Diameter	17 mm
Outer Diameter	35 mm
Width	10 mm
d	17 mm
D	35 mm
B	10 mm
C	10 mm
rn	0,3 mm
a	2,06 mm
b	1,35 mm
f	1,12 mm
r min.	0,3 mm
r0 max.	0,4 mm
D1	33,17 mm
D2	39,7 mm
da min.	19 mm
da max	21,5 mm
Da max.	33 mm
ra max.	0,3 mm
Weight	0,041 Kg
Basic dynamic load rating (C)	6 kN
Basic static load rating (C0)	3,25 kN
(Grease) Lubrication Speed	22 000 r/min
(Oil) Lubrication Speed	26 000 r/min



## Double BALL BEARINGS CO, LTD

Category	Single Row Ball Bearings
Inventory	0.0
Manufacturer Name	NSK
Minimum Buy Quantity	N/A
Weight / Kilogram	0.039
EAN	0029176423628
Product Group	B00308
Enclosure	Open
Precision Class	ABEC 1   ISO P0
Maximum Capacity / Filling Slot	No
Rolling Element	Ball Bearing
Snap Ring	Yes
Internal Special Features	No
Cage Material	Steel
Internal Clearance	C0-Medium
Inch - Metric	Metric
Long Description	17MM Bore; 35MM Outside Diameter; 10MM Outer Race Width; Open; Ball Bearing; ABEC 1   ISO P0; No Filling Slot; Yes Snap Ring; No Internal Special Features; C0-Medium Internal Clearance; Steel Cage
Other Features	Deep Groove   With Snap Ring
Category	Single Row Ball Bearing
UNSPSC	31171504
Harmonized Tariff Code	8482.10.50.68
Noun	Bearing
Keyword String	Ball
Manufacturer URL	<a href="http://www.nskamericas.com">http://www.nskamericas.com</a>
Weight / LBS	0.0904



## Double BALL BEARINGS CO, LTD

Inner Race Width	0 Inch   0 Millimeter
Bore	0.669 Inch   17 Millimeter
Outside Diameter	1.378 Inch   35 Millimeter
Outer Race Width	0.394 Inch   10 Millimeter
SRI	2.46
hidYobi	6003NR
LangID	1
ro	0.4
D_	35
SREX	0.03
B_	10
da min	19
hidTable	ecat_NSRDGB
Oil rpm	26000
SRE	2.52
Cy	2.9
mass	0.041
GRS rpm	22000
ra	0.3
SRIX	0.015
D_a	33
SRIN	-0.015
C0	3.25
fo	14.4
SREN	0
DE_	30.762
Prod_Type3	DGBB_SR_NR_OT
DA_	4.762
bomp	0
Z_	10
yobi	6003NR
Dx	40.5



## Double BALL BEARINGS CO, LTD

C_conv	6000
ALPHA_	0
SDM_	26
r	0.3
KBRG	6101
SBRG	10
DI_	21.238