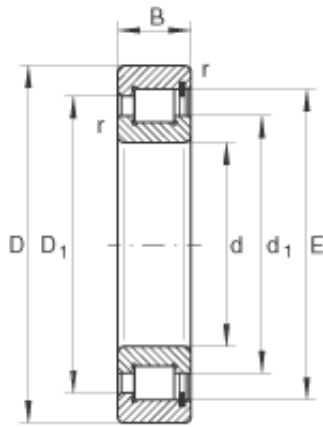




Double BALL BEARINGS CO, LTD



170 mm x 310 mm x 86 mm INA SL182234
cylindrical roller bearings

Bearing No. SL182234

SL182234 Bearing 2D drawings and 3D CAD models

Size	170x310x86 mm
Bore Diameter	170 mm
Outer Diameter	310 mm
Width	86 mm
d	170 mm
D	310 mm
B	86 mm
D ₁	267,4 mm
d ₁	220,3 mm
E	281,9 mm
r _{min}	4 mm
s	7 mm / Axial displacement
m	28,65 kg / Weight
C _r	1140000 N / Dynamic load rating (radial)
C _{0r}	1660000 N / Static load rating (radial)
C _{ur}	205000 N / Fatigue limit load, radial
n _G	1300 1/min / Limiting speed
Category	Cylindrical Roller Bearings
Inventory	0.0
Manufacturer Name	SCHAEFFLER GROUP
Minimum Buy Quantity	N/A
Weight / Kilogram	34.34
Product Group	B04144



Double BALL BEARINGS CO, LTD

Bore Profile	Straight
Cage Material	None
Precision Class	RBEC 1 ISO P0
Number of Rows of Rollers	Single Row
Separable	No
Rolling Element	Cylindrical Roller Bearing
Profile	Complete with Outer and Inner Ring
Snap Ring	No
Internal Clearance	C0-Medium
Retainer	No
Relubricatable	Yes
Inch - Metric	Metric
Other Features	Full Complement 2 Rib Inner Ring 1 Rib Outer Ring with Retaining Ring Operating Temperature From -30 to 120 Deg
Long Description	170MM Bore; Straight Bore Profile; 310MM Outside Diameter; 86MM Width; RBEC 1 ISO P0; Single Row; Not Separable; No Snap Ring; Relubricatable; C0-Medium Internal Clearance; No Retainer
Category	Cylindrical Roller Bearing
UNSPSC	31171547
Harmonized Tariff Code	8482.50.00.00
Noun	Bearing
Manufacturer URL	http://www.ina.com
Manufacturer Item Number	SL182234
Weight / LBS	75.636
Outside Diameter	12.205 Inch 310 Millimeter
Bore	6.693 Inch 170 Millimeter
Width	3.386 Inch 86 Millimeter



Double BALL BEARINGS CO, LTD