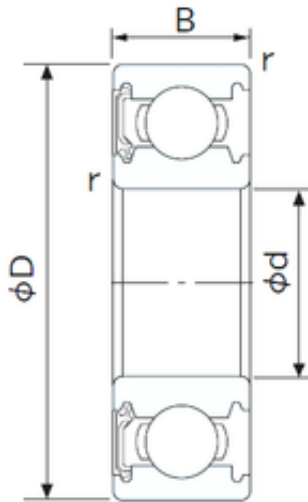




Double BALL BEARINGS CO, LTD



15 mm x 35 mm x 11 mm CYSD 6202-RS deep groove ball bearings

Bearing No. 6202-RS

Size	15x35x11 mm
Bore Diameter	15 mm
Outer Diameter	35 mm
Width	11 mm
d	15 mm
D	35 mm
B	11 mm
C	11 mm
r min.	0,6 mm
Weight	0,04 Kg
Basic dynamic load rating (C)	7,64 kN
Basic static load rating (C0)	3,72 kN

6202-RS Bearing 2D drawings and 3D CAD models