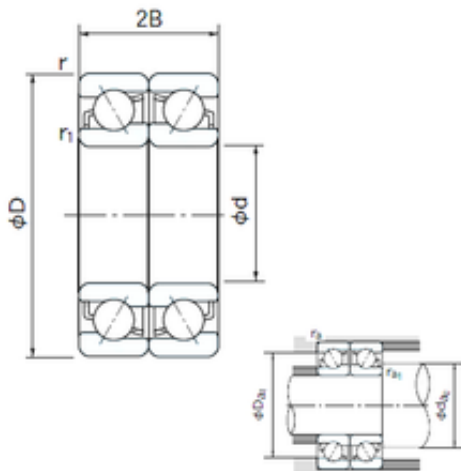




Double BALL BEARINGS CO, LTD



7202CDF Bearing 2D drawings and 3D CAD models

15 mm x 35 mm x 11 mm NACHI 7202CDF
angular contact ball bearings

Bearing No. 7202CDF

Size	15x35x11 mm
Bore Diameter	15 mm
Outer Diameter	35 mm
Width	11 mm
d	15 mm
D	35 mm
B	11 mm
C	11 mm
Angle (°)	15 °
a -	2.6 mm
r min.	0.6 mm
r1 min.	0.3 mm
2B	22 mm
da min.	20 mm
Da max.	32.4 mm
ra max.	0.3 mm
Weight	0.048 Kg
Basic dynamic load rating (C)	14,2 kN
Basic static load rating (C0)	9,15 kN
(Grease) Lubrication Speed	26000 r/min
Bore Type	Cylindrical Bore
Enclosure	Open
Configuration	Duplex
Bore Size	15 mm
Outside Diameter	35 mm



Double BALL BEARINGS CO, LTD

Width	11 mm
Fillet Radius/Chamfer	0.6 mm
r1	0.3 mm
Dynamic Load Rating	14,200 N
Static Load Rating	9,150 N
Limiting Speed - Grease	26,000 rpm
Limiting Speed - Oil	35,000 rpm
da1 (min)	20 mm
da2 (min)	20 mm
Da1 (max)	30 mm
Da2 (max)	32.4 mm
ra (max)	0.6 mm
ra1 (max)	0.3 mm